

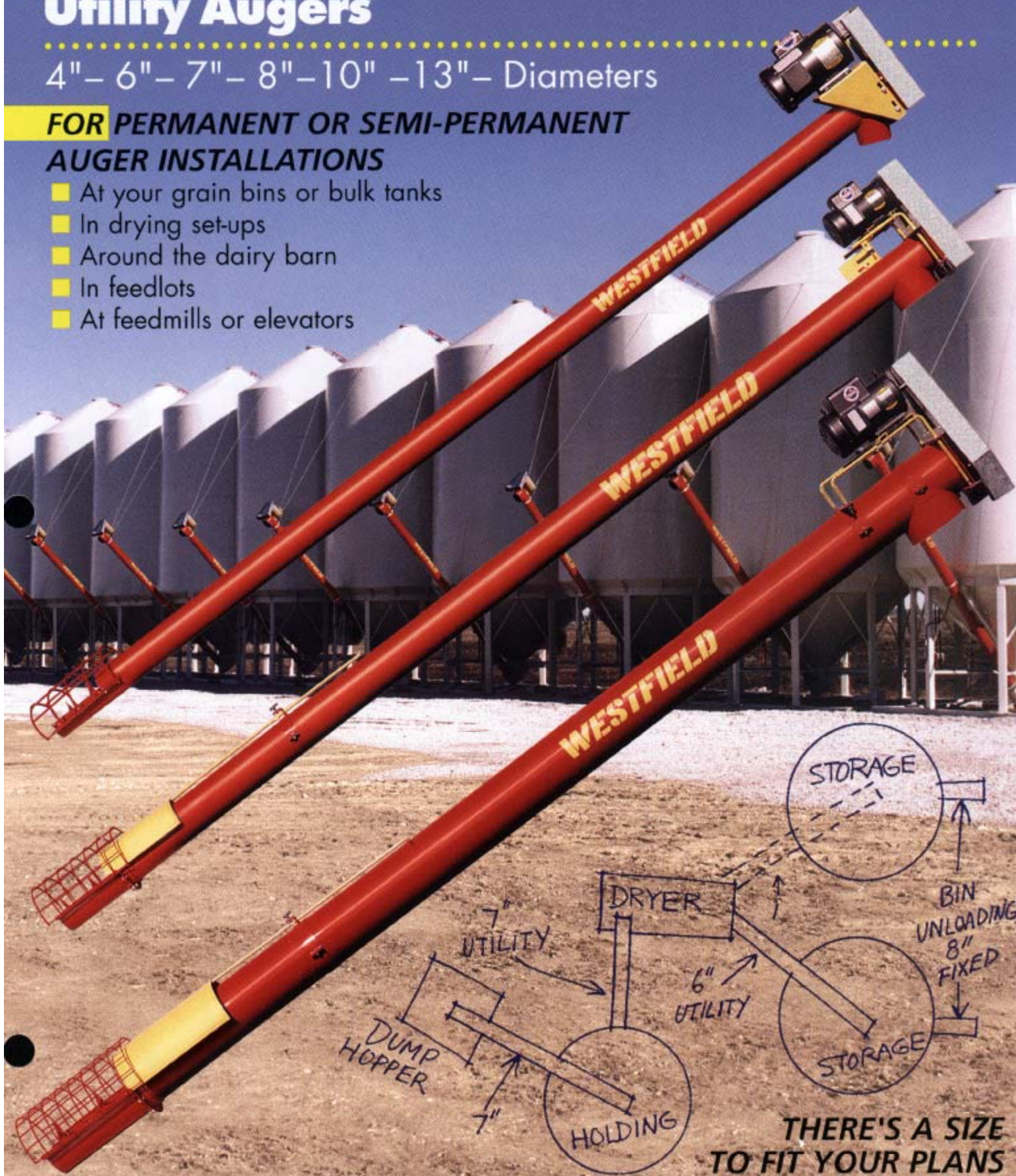
# WESTFIELD®

## Utility Augers

4" - 6" - 7" - 8" - 10" - 13" - Diameters

### FOR PERMANENT OR SEMI-PERMANENT AUGER INSTALLATIONS

- At your grain bins or bulk tanks
- In drying set-ups
- Around the dairy barn
- In feedlots
- At feedmills or elevators



THERE'S A SIZE TO FIT YOUR PLANS

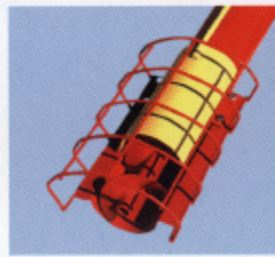
# Utility Augers



## 4" 11 ft. Basic Auger 5' AND 10' EXTENSIONS



Portable 4" auger, adjustable motor mount, shielded single "A" belt and pulley, and pre-lubricated top end bearing.



Shielded intake assembly bolts to basic drive section or extension, shown with optional adjustable feed control.



Handy swivel mount bracket for quick mounting to truck box, wagon or feed bin.

## 6"-7"-8"-10" 16 ft. Basic Auger 5', 10' OR 15' EXTENSIONS 13" 21 ft. Basic Auger 5', 10' OR 20' EXTENSIONS



Upper drive has heavy duty flangette ball bearing and adjustable motor mount with double "B" belts and pulley (triple belts on 13" models).



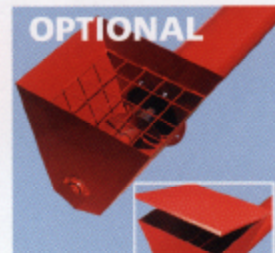
Shielded intake assembly shown with optional adjustable feed control for 6"-10" models.



Bolt-on flight support bushing with grease fitting (standard on 13" models).



Bolt-on tube clamps for attaching support bracing.



Handy steel hopper with flight support bearing. Also available with hinged lid for 6" to 10" models.

### OTHER OPTIONS (Not shown)

- Flex Spout – directs flow of grain
- Handy Poly Hopper
- Triple Groove Pulley and three belts for longer 10" augers
- \*NOT SUPPLIED – Electric motor, pulley, and switches.



Truss kits to support longer auger installations – 6" to 10" models.

### SPECIFICATIONS

	4"	6"	7"	8"	10"	13"
Recommended pulley size for 1750RPM motors	1A 2" - 2 1/4"	2B 3 1/2" - 4"	2B 3 1/2" - 4"	2B 3 1/4" - 3 1/2"	2B 3 1/4" - 3 1/2"	3B 3 1/4" - 3 1/2"
Flight speed	440 - 490	480 - 550	480 - 550	445 - 480	380 - 410	355 - 380
Auger pulley supplied	1A8"	2B 12.7"	2B 12.7"	2B 12.7"	2B 15"	3B 16"
Belt(s) supplied	1 - A33	2 - B48	2 - B51	2 - B51	2 - B62	3 - B67
Extensions available	5' - 10'	5' - 10' - 15'	5' - 10' - 15'	5' - 10' - 15'	5' - 10' - 15'	5' - 10' - 20'
Tube gauge	16	16	16	14	14	12
Flight gauge	13	12	12	10	7	7

NOTE: Recommended motor pulley sizes are for 1750 RPM electric motors. For intermittent feed, a slightly smaller pulley will allow easier startup under load. Specifications are subject to change without notice or obligation.

### HORSE POWER REQUIREMENTS\*

LENGTH	4"	6"	7"	8"	10"	13"
11'	3/4	●	●	●	●	●
16'-21'	3/4-1	1 1/2-2	2-3	3	3-5	10
26'-31'	1-1 1/2	3	3-5	5	5-7 1/2	15
36'-41'	1 1/2-2	3-5	5-7 1/2	5-7 1/2	7 1/2-10	20
46'-51'	2-3	5	7 1/2	7 1/2-10	10-15	●
56'-61'	●	7 1/2	7 1/2-10	10	15-20	●

\*With dry grain. Full tube of high moisture grain will require additional horsepower.



## SAFETY FIRST

Some features are shown with safety shields removed for clarity. DO NOT operate auger with safety shields removed. Read and understand operators manual before operating.



# WESTFIELD®

Your Dealer:

Westfield Industries Ltd.

A division of Ag Growth Industries

Box 39, Rosenort, Manitoba R0G 1W0

Ph (204) 746-2396

Fax (204) 746-2679

# WESTFIELD® UTILITY AUGER SPECIFICATIONS & SIZES

- ▶ Available in 4", 6", 7", 8", 10", and 13" diameters.
- ▶ Galvanized shielding on pulley.
- ▶ Sturdy outlet spout welded to basic section.
- ▶ One piece adjustable motor mount on 4" auger, two slotted mount angles on two adjustable threaded rods for 6" to 13" utility.

	4"	6"	7"	8"	10"	13"
<b>Upper Section Length</b>	11'	16'	16'	16'	16'	21'
<b>Tube Extension Length</b>	5' & 10'	5', 10' & 15'	5', 10' & 15'	5', 10' & 15'	5', 10' & 15'	5', 10' & 20'
<b>Pulley Size</b>	8" Single	13" Double	13" Double	13" Double	15" Double	16" Triple
<b>Belt Size</b>	A33	B48	B51	B51	B62	B67
<b>Tubing Gauge</b>	16 Ga.	16 Ga.	16 Ga.	14 Ga.	14 Ga.	12 Ga.
<b>Flighting Shaft</b>	7/8" x 13 Ga.	1.05" x 11 Ga.	1.05" x 11 Ga.	1.66" x 11 Ga.	2" x 11 Ga.	3" x 11 Ga.
<b>Flighting</b>	3-1/2"OD 13 Ga.	5-3/8"OD 12 Ga.	6-1/16"OD 12 Ga.	7"OD 10 Ga.	9"OD 7 Ga.	11-3/4"OD 7 Ga.
<b>Top Bearing</b>	7/8" Oil Impregnated Wood	1" Ball Bearing	1" Ball Bearing	1-1/4" Ball Bearing	1-1/4" Pillow Block	1-3/4" Pillow Block
<b>Tube Connectors</b>	Bolt-On Tube Clamp	Heavy Duty 3/16" Angle Flange	Heavy Duty 3/16" Angle Flange	Heavy Duty 3/16" Angle Flange	Heavy Duty 3/16" Angle Flange	Heavy Duty 1/4" Angle Flange
<b>Flight Connector</b>	Threaded Coupler	Threaded Coupler	Threaded Coupler	Stub & Bolts	Stub & Bolts	Stub & Bolts
<b>Intake Support Bushing</b>	N/A	Optional	Optional	Optional	Optional	Standard
<b>Trussing System</b>	N/A	Optional	Optional	Optional	Optional	N/A
<b>Feed Control</b>	Optional	Optional	Optional	Optional	Optional	N/A
<b>Metal Intake Hopper c/w Support Bearing</b>	Optional	Optional Optional Lid	Optional Optional Lid	Optional Optional Lid	Optional Optional Lid	Optional
<b>Tube Clamp Kit</b>	N/A	Optional	Optional	Optional	Optional	Optional
<b>Swivel Mount</b>	Optional	N/A	N/A	N/A	N/A	N/A
<b>Recommended Pulley Size for 1750 RPM Motor</b>	1A/2"-2 1/4"	2B/3 1/2"-4"	2B/3 1/2"-4"	2B/3 1/4"-3 1/2"	2B/3 1/4"-3 1/2"	3B/3 1/4"-3 1/2"

## HOPPER SIZE

## HORSE POWER REQUIREMENTS

	HOPPER SIZE			HORSE POWER REQUIREMENTS						
	Length	Width	Depth	Length	4"	6"	7"	8"	10"	13"
A152 - UT4	12"	10"	10-1/2"	11'	3/4	•	•	•	•	•
A128 - UT6	14"	14"	16"	16'-21'	3/4-1	1 1/2-2	2-3	3	3-5	10
A129 - UT7	14"	16"	16"	26'-31'	1-1 1/2	3	3-5	5	5-7 1/2	15
A130 - UT8	16"	19"	16"	36'-41'	•	3-5	5-7 1/2	5-7 1/2	7 1/2-10	20
A131 - UT10	20"	20"	18"	46'-51'	•	5	7 1/2	7 1/2-10	10-15	•
A198 - UT13	26"	22"	20"	56'-61'	•	7 1/2	7 1/2-10	10	15-20	•

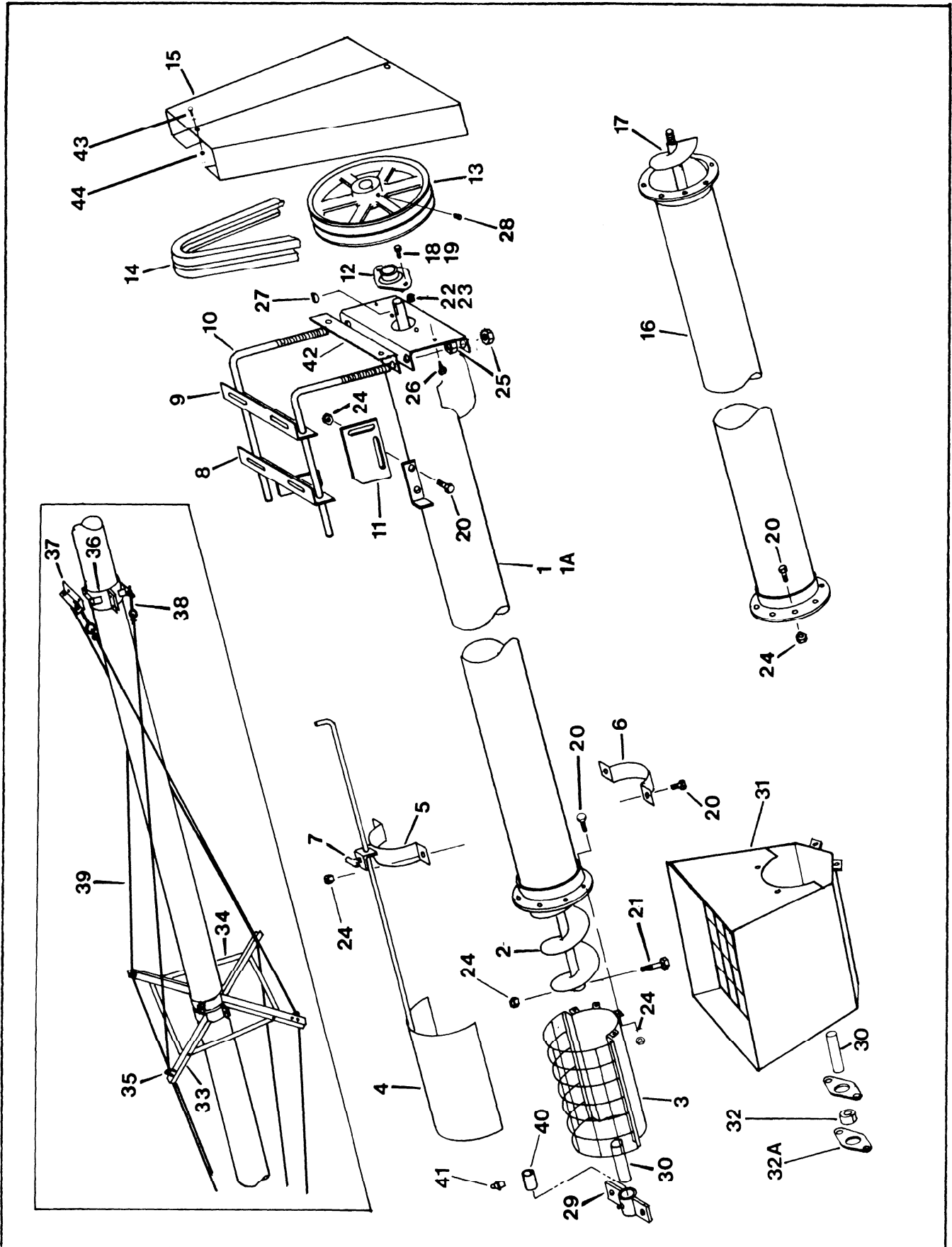
Approximate electric motor horsepower requirements under normal conditions. When augering full tube of high moisture grain, additional horsepower may be needed.

# UTILITY AUGER

<u>Description</u>	<u>Page</u>
UT-6, UT-7, and UT-8 utility auger .....	E2-3
UT-10 utility auger .....	E4-5
UT-4 utility auger .....	E6
UT-13 utility auger .....	E7

UTILITY AUGER **E**

# UT-6, UT-7 & UT-8 Utility auger

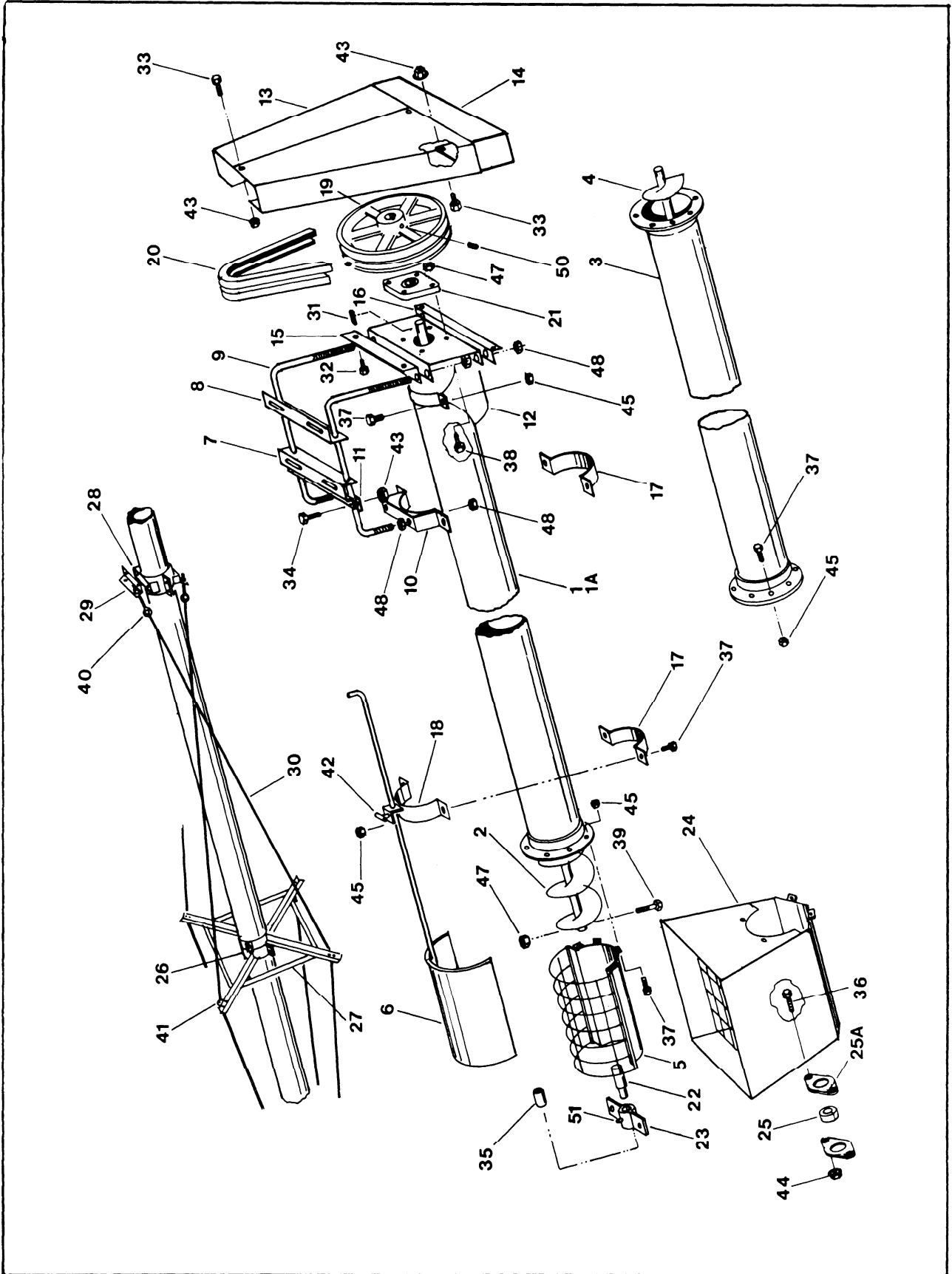


# UT-6, UT-7 & UT-8 Utility Auger

REF. NO.	PART NO.			PARTS DESCRIPTION	NO. RECD
	6"	7"	8"		
32A	18694	18694	18694	1" Bearing flange, single, 2 bolt	4
33	19876	19877	19878	Truss strut w/half ring, single	4
34	19879	19879	19879	Truss brace, single	12
35	19333	19333	19333	5/16" cable clamp	4
36	19880	19881	19882	Truss anchor half ring	4
37	19332	19332	19332	Truss attach angle	4
38	19331	19331	19331	Eye bolt, with nut	8
39	19883	19883	19883	5/16" truss cable, 30' long, single	4
39	19884	19884	19884	5/16" truss cable, 40' long, single	4
40	19149	19149	19149	Bushing 1"	1
41	19222	19222	19222	Grease fitting	1
42	18449	18449	18449	Pulley shield angle	1
---	19865	19866	19867	Utility auger carton, as packed	1

REF. NO.	PART NO.			PARTS DESCRIPTION	NO. RECD
	6"	7"	8"		
1	19820	19821	19822	Basic tube section w/end plate	1
1A	19823	19824	19825	Basic tube & flight bundle, as shipped	1
2	19826	19827	19828	Basic flight section	1
3	19829	19830	19831	Intake shield assembly	1
4	19832	19833	19834	Feed control	1
5	19835	19836	19837	Feed control clamp w/screw	1
6	19022	19199	19460	Tube halfband	1
7	19838	19838	19838	T-Bolt	1
8	19839	19839	19839	Back mount angle	1
9	19840	19840	19840	Front mount angle	1
10	19841	19841	19841	Mount adjust rod	2
11	19842	19842	19842	Adjust plate	1
12	19321	19321	---	1" flangette bearing	1
12	---	---	19322	1-1/4" flangette bearing	1
12A	18817	18817	---	1" bearing, less flanges	1
12A	---	---	18853	1-1/4" bearing, less flanges	1
13	19613	19613	19613	Double groove 13" pulley	1
14	19843	19844	19844	Belt, B48 on 6", B51 on 7" & 8"	2
15	19845	19845	19845	Pulley shield	1
16	19846	19847	19848	5' extension tube section	1
16	19849	19850	19851	10' extension tube section	1
16	19852	19853	19854	15' extension tube section	1
17	19855	19856	19857	5' extension flight section	1
17	19858	19859	19860	10' extension flight section	1
17	19861	19862	19863	15' extension flight section	1
18	19538	19538	---	Bolt, 5/16 - 18 x 3/4", grade 2	X
19	---	---	19540	Bolt, 3/8 - 16 x 3/4", grade 2	X
20	19542	19542	19542	Bolt, 7/16 - 14 x 1", grade 5	X
21	---	---	19545	Bolt, 7/16 - 14 x 2-1/4", grade 8	X
22	19595	19595	---	Washer-locknut, 5/16 - 18	X
23	---	---	19596	Washer-locknut, 3/8 - 16	X
24	19598	19598	19598	Locknut, 7/16 - 14	X
25	19864	19864	19864	Hex-nut, 5/8 - 11	X
26	19274	19274	19274	Selftapping screw, #14 x 5/8", w/washerhead	X
27	19224	19224	19224	Woodruff key, 1/4 x 1"	X
28	19225	19225	19225	Set screw, 3/8 - 16 x 3/8"	X
29	19868	19869	19870	Flight shaft support bushing	1
30	19871	19871	19872	Stub shaft	1
31	19873	19874	19875	Intake hopper	1
32	18690	18690	18690	Hopper bearing, hardwood, less flanges	1

# UT-10 Utility auger



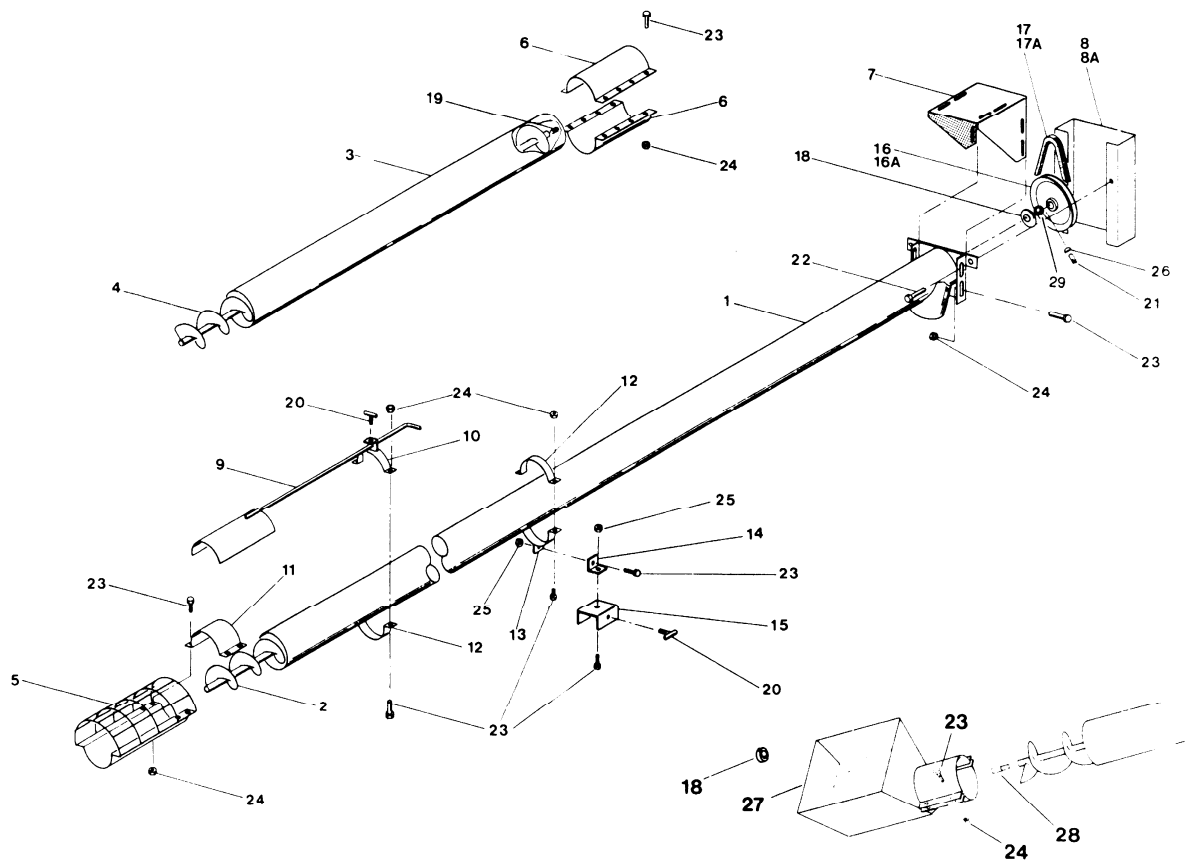
# UT-10 Utility auger

REF. NO.	PART NO.	PARTS DESCRIPTION	NO. RECD
33	18537	Bolt 1/4 - 20 x 1/2"	X
34	18951	Bolt 1/4 - 20 x 1-1/4"	X
35	19776	1-1/4" Bushing	X
36	18540	Bolt 3/8 - 16 x 3/4"	X
37	19542	Bolt 7/16 - 14 x 1"	X
38	18588	Bolt 1/2 - 13 x 1-1/2"	X
39	19798	Bolt 1/2 - 13 x 2-3/4" grade 8	X
40	18331	Eyebolt & nut	X
41	18333	5/16" Cable clamp	X
42	18838	T-Bolt	X
43	18594	Washer locknut 1/4 - 20	X
44	18596	Washer locknut 3/8 - 16	X
45	18598	Locknut 7/16 - 14	X
46	18602	Nut 1/2 - 13	X
47	18599	Locknut 1/2 - 13	X
48	18864	Nut 5/8 - 11	X
49	18605	Lockwasher 1/2"	X
50	18225	Setscrew 3/8 - 16 x 3/8"	X
51	18222	Press in grease fitting	X
--	18356	Utility auger carton, as packed	X

REF. NO.	PART NO.	PARTS DESCRIPTION	NO. RECD
1	18235	Basic tube section	1
1A	18355	Basic tube & flight bundle, as shipped	X
2	18236	Basic flight section	1
3	18254	5' Extension tube	X
3	18256	10' Extension tube	X
3	18258	15' Extension tube	X
4	18255	5' Extension flight	X
4	18257	10' Extension flight	X
4	18259	15' Extension flight	X
5	18237	Intake shield assembly	1
6	18238	Feed control	1
7	18242	Mounting angle, rear	1
8	18243	Mounting angle, front	1
9	18239	Motor mount rod	2
10	18240	Mount clamp	1
11	18241	Mounting plate	2
12	18253	Strap on spout	1
13	18845	Pulley shield	1
14	18930	Pulley shield extension	1
15	18244	Shield mount, upper	1
16	18245	Shield mount, lower	1
17	19801	Tube half band	3
18	18246	Feed control clamp	1
19	18950	Double groove 15" pulley 1-1/4" bore	1
20	18834	Belt, B-62	2
21	18567	1-1/4" Bearing, 4 bolt	1
21A	18852	1-1/4" Bearing less flange	X
22	18247	Stub shaft	1
23	18248	Flight support w/bushing, grease fitting	1
24	18249	Hopper	X
25	18691	Hopper bearing, hardwood, less flanges	X
25A	18695	1-1/4" bearing flange, single, 2 bolt	X
26	18250	Truss strut	4
27	18251	Truss brace	4
28	18252	Truss anchor half band	2
29	18332	Truss attach angle	4
30	18883	5/16" Truss cable, 30' long, single	X
30	18884	5/16" Truss cable, 40' long, single	X
31	18606	1/4 x 1-1/2 Square key	X
32	18274	Self tapping screw #14 x 5/8"	X



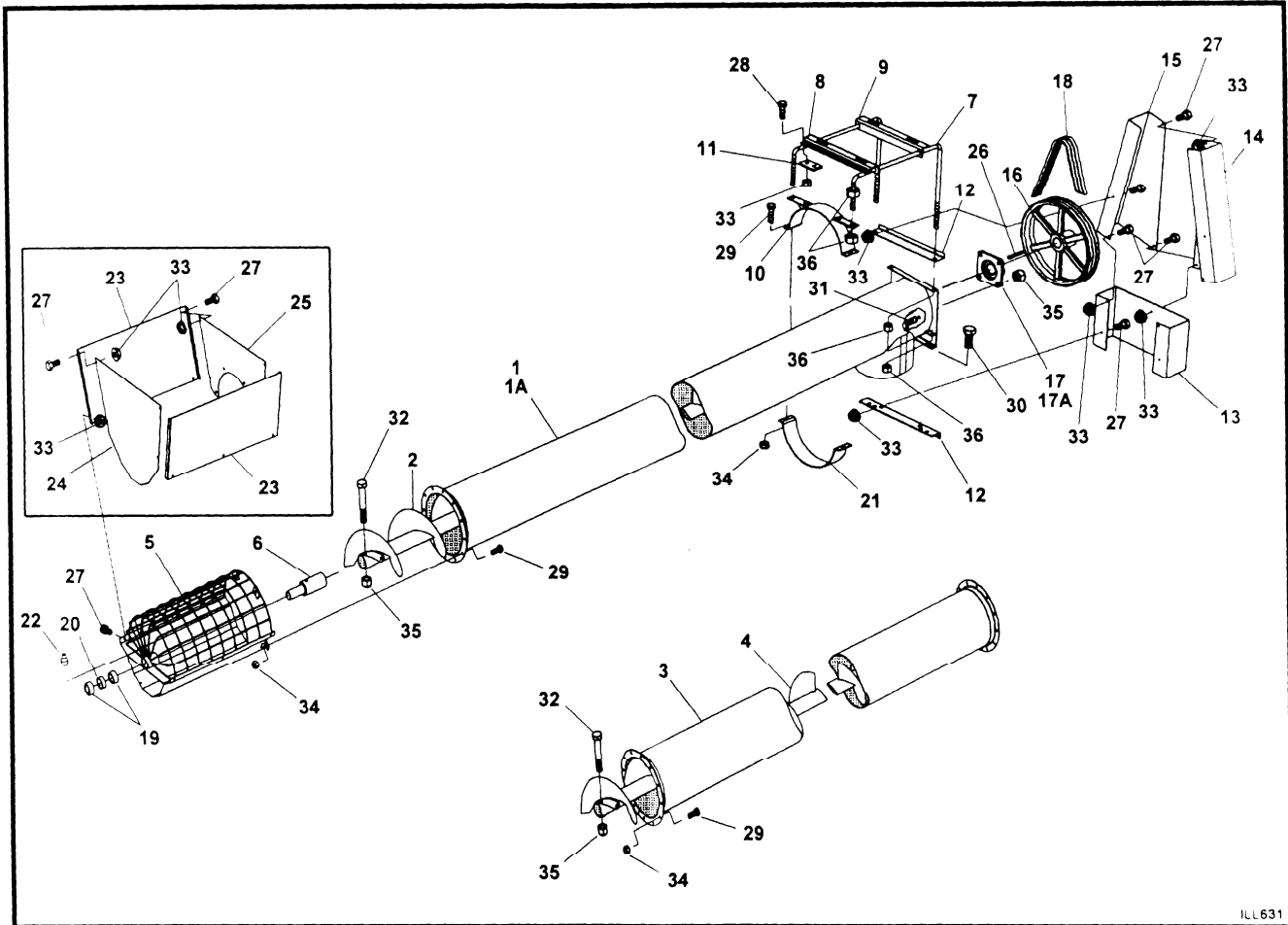
# UT-4 Utility auger



REF. NO.	PART NO.	DESCRIPTION
1	18213	Basic tube section
1A	18353	Basic tube & flight bundle, as shipped
2	18214	Basic flight section
3	18215	5' Extension tube
3	18216	10' Extension tube
4	18217	5' Extension flight
4	18218	10' Extension flight
5	18219	Intake shield assembly
6	18220	Tube connector band
7	18221	Motor mound
8	18222	Shield for 6" pulley *
8A	17073	Shield for 8" pulley *
9	18223	Feed control
10	18224	Feed control clamp
11	18226	Intake clamp
12	18225	Tube half band
13	18227	Swivel clamp
14	18228	Swivel bracket
15	18229	Box clamp
16	18230	Single groove 6" pulley *
16A	17075	Single groove 8" pulley *
17	18231	Belt, A-29, use with 6" pulley *

REF. NO.	PART NO.	DESCRIPTION
17A	17074	Belt, A33, use with 8" pulley *
18	18232	7/8" Bearing, Hardwood
19	18233	Flight connector
20	19838	T-Bolt
21	19225	Set screw 3/8 - 16 x 3/8"
22	19274	Self tapping screw #14 x 5/8"
23	19538	Bolt 5/16 - 16 x 3/4"
24	19595	Washer locknut 5/16 - 18
25	19980	Locknut 5/16 - 18
26	19224	Woodruff key 1/4 x 1"
---	18354	Utility auger carton, as packed
27	17121	Hopper with bearing & stub shaft
28	17122	Stub
29	17314	7/8" rim washer
		* When ordering belts, shields and pulleys, check for correct size.

# UT-13 Utility Auger



ILL 631

REF. NO.	PART NO.	PARTS DESCRIPTION	NO. REQD	REF. NO.	PART NO.	PARTS DESCRIPTION	NO. REQD
1	17493	Basic tube section	1	20	17502	Bushing spacer	1
1A	17395	Basic tube & flight bdl, as shipped, incl ref. 5 & 6	x	21	18987	Tube half band	1
2	17494	Basic flight section	1	22	19222	Press in grease fitting	1
3	17499	5' Extension tube	x	23	17488	Side panel	2
3	17500	10' Extension tube	x	24	17489	End panel, rear	1
3	17501	20' Extension tube	x	25	17490	End panel, front	1
4	17491	5' Extension flight	x	26	18541	Square key, 3/8 x 3-1/2" long	1
4	17492	10' Extension flight	x	27	19537	Bolt, 1/4 - 20 x 1/2", grade 2	x
4	18984	20' Extension flight	x	28	19951	Bolt, 1/4 - 20 x 1-1/4", grade 2	x
5	17495	Intake shield weldment	1	29	18698	Bolt, 7/16 - 14 x 1-1/4", grade 5	x
6	17484	Stub shaft	1	30	19590	Bolt, 5/8 - 11 x 1-1/2", grade 5	x
7	18239	Motor mount rod	2	31	19977	Bolt, 5/8 - 11 x 1-3/4", grade 5	x
8	17528	Mounting angle, rear	1	32	18545	Bolt, 5/8 - 11 x 4-1/2", grade 8	x
9	17529	Mounting angle, front	1	33	19594	Washer-locknut, 1/4 - 20	x
10	17496	Mount clamp	1	34	19598	Locknut, 7/16 - 14	x
11	18241	Mounting plate	2	35	19600	Locknut, 5/8 - 11	x
12	18245	Shield mount angle	2	36	19864	Hexnut, 5/8 - 11	x
13	17487	Pulley shield extension	1		17538	UT-13-21 Basic carton	
14	17485	Pulley shield, RH	1				
15	17486	Pulley shield, LH	1				
16	17396	Pulley, 16" triple groove, 1-3/4" bore	1				
17	18518	Bearing, c/w 4 bolt flange, 1-3/4"	1				
17A	17527	Bearing less flange, 1-3/4"	1				
18	19935	Belt, B-67	3				
19	18944	Bushing, 1-3/4"	2				